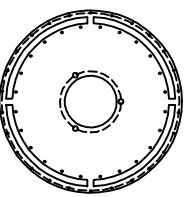
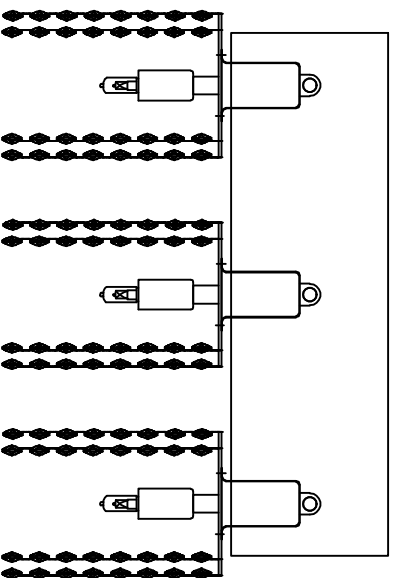


Trade Mark:
CRYSTAL WORLD INC

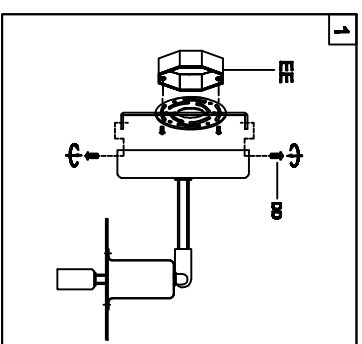
Product Name: Wall lamp
Model :4283W-RC-R
120Vac, 60Hz,AC ONLY
Lamp Size:L17"XH12"XE7"



ETL
C US
Intertek
4006677

WALL LAMP ASSEMBLY INSTRUCTIONS

1. Place fixture(A) onto cross bar (EE).
secure with mounting screw (DD).



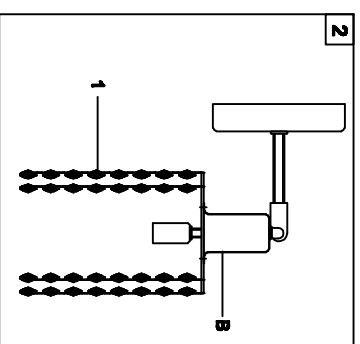
Hardware Used

CC Mounting screw  X 4

2. Please hang the crystal(1) to the
fixture (B).



1
14mm*8PCs
150PCs(Clear)



3. Install light bulbs (not included).
Use bulb
120V G9 3*40W Max.

