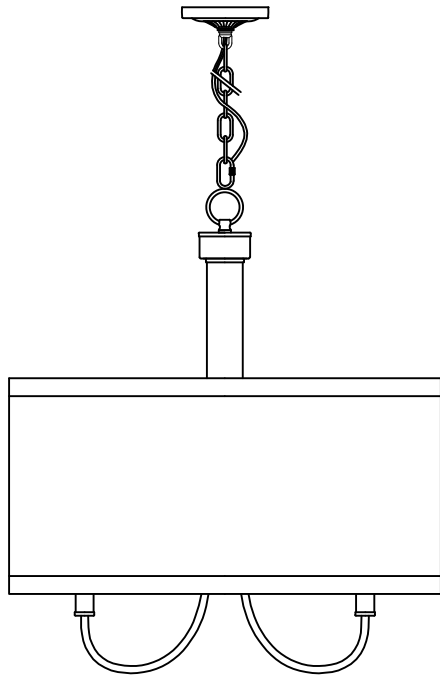


Trade Mark:
CRYSTAL WORLD INC

Product Name: Pendant lamp
Model :9848P24-6-601
120Vac, 60Hz,AC ONLY
Lamp Size:Ø24"*26"




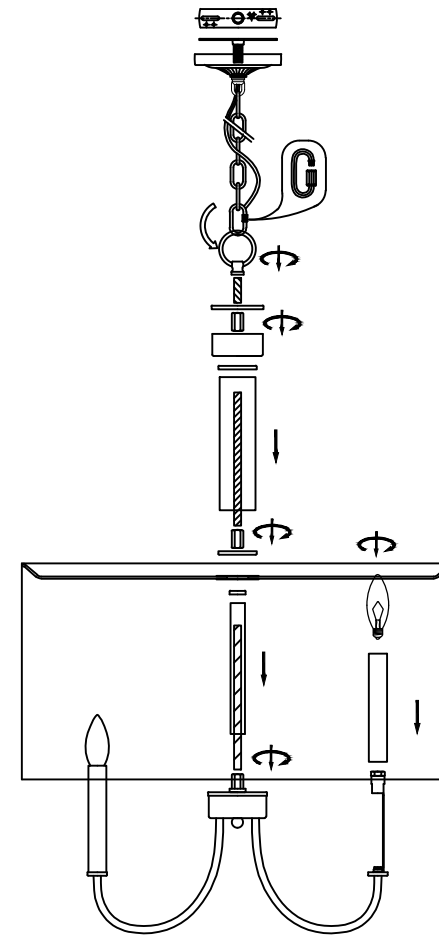
Page 1/4



Intertek
4006677

PENDANT LAMP ASSEMBLY INSTRUCTIONS

1. Install bulbs (NOT INCLUDED).USE 120V E12  6*40W Max.



Page 2/4